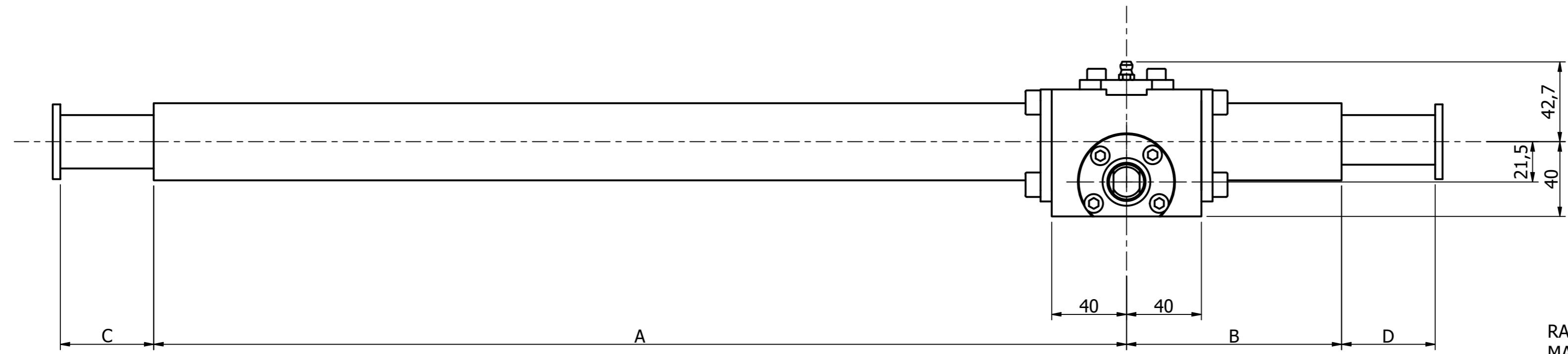
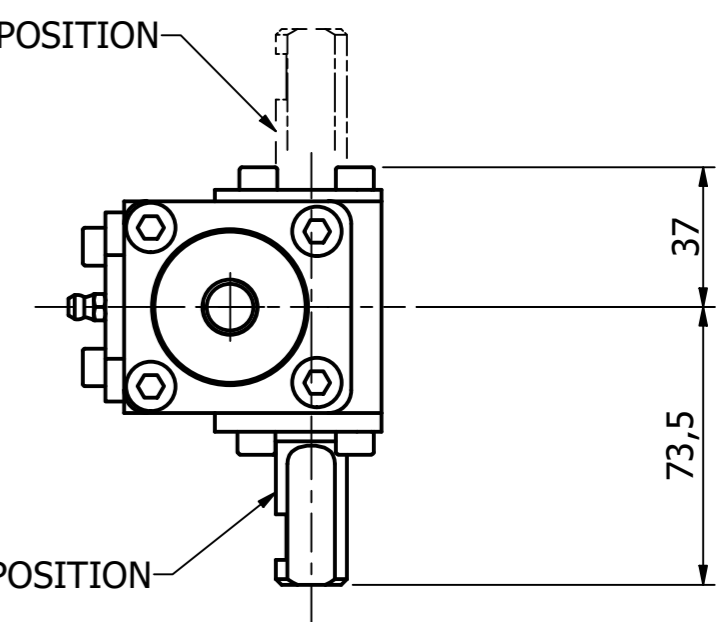
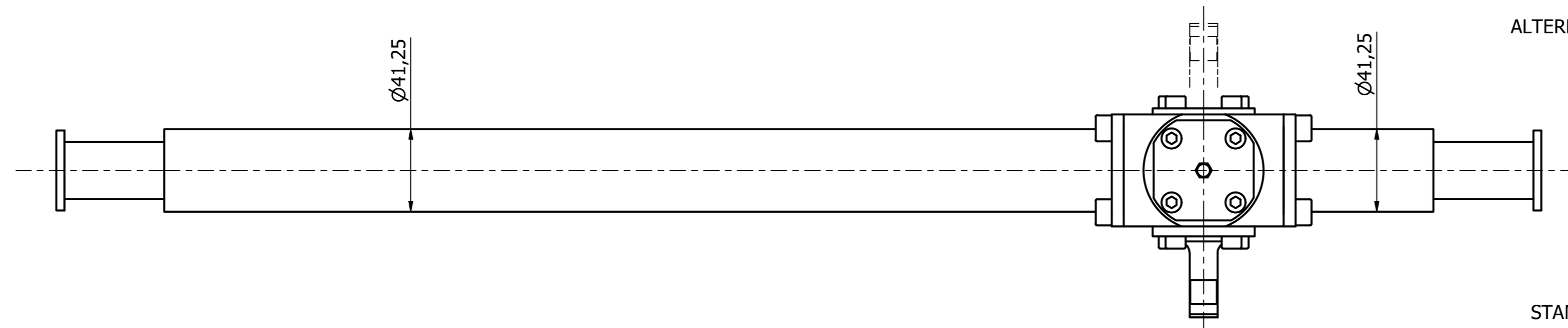
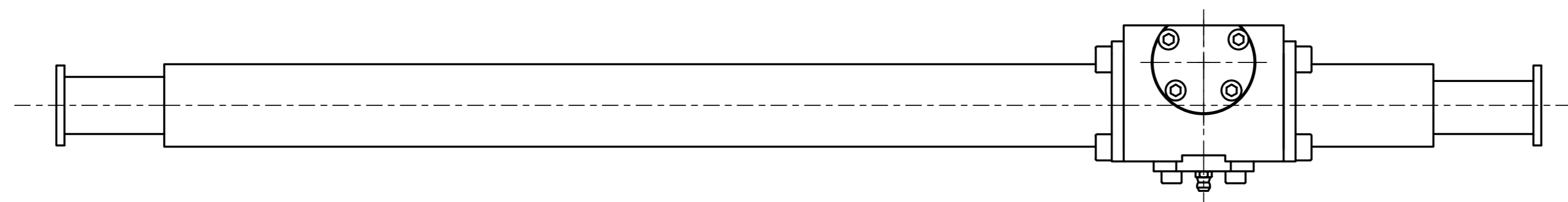
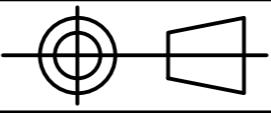


THIRD ANGLE PROJECTION



RACK ASSEMBLY SHOWN IN MID POSITION
 MAX TRAVEL 160mm
 100mm = 1.25 TURNS
 150mm = 1.88 TURNS



Westfield, Wybunbury Rd.
 Walgherton,
 Nantwich
 CW5 7NG
 Tel: (01270) 841081
 Fax: (01270) 841941
 Email: sales@gbengineering.co.uk
 www.gbengineering.co.uk

TITLE
**STEERING RACK ASSEMBLY C6/C3
 CONFIGURATION DATA**

| GENERAL TOLERANCES UNLESS OTHERWISE STATED | |
|--|--------------------------|
| FABRICATIONS | |
| UP TO 120 | ±1.0 |
| OVER 120 UP TO 315 | ±1.5 |
| OVER 315 UP TO 1000 | ±2.0 |
| OVER 1000 UP TO 2000 | ±3.0 |
| OVER 2000 UP TO 4000 | ±4.0 |
| OVER 4000 | ±5.0 |
| GENERAL MACHINING | |
| CONCENTRICITY TOL. 0.01 FIM | ±0.5 |
| ANGULAR DIMENSIONS ±0.5° | ±0.25 |
| | TWO DECIMAL PLACES ±0.01 |

| | | | | | | |
|-----------|------------------------------|---------|----------|------------|--------------|-----------|
| COMPONENT | DRAWN G.D. | CHECKED | APPROVED | DATE 01/20 | SHEET 1 OF 1 | SCALE 1:2 |
| TOOL | DRAWING No. BCC4620-1 | | | | MO No. | |